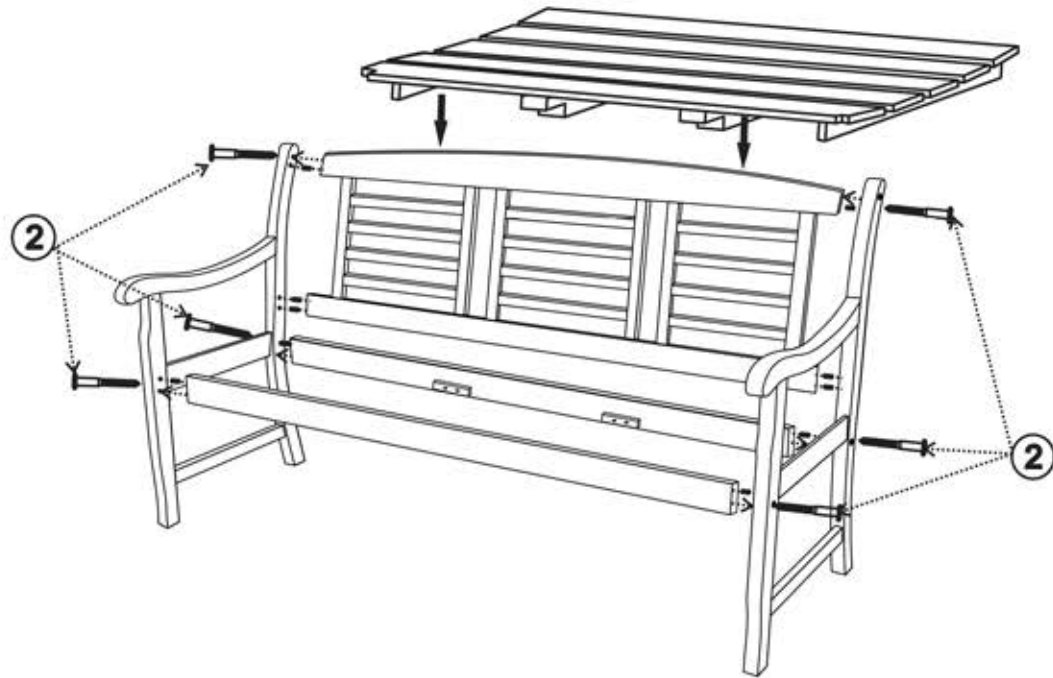



# ASSEMBLY INSTRUCTION



①   
(Ø 10 x 40) mm x 10 Pcs

②   
(M7 x 90) mm x 6 Pcs

③   
(M4 x 35) mm x 4 Pcs

④   
1 Pcs

