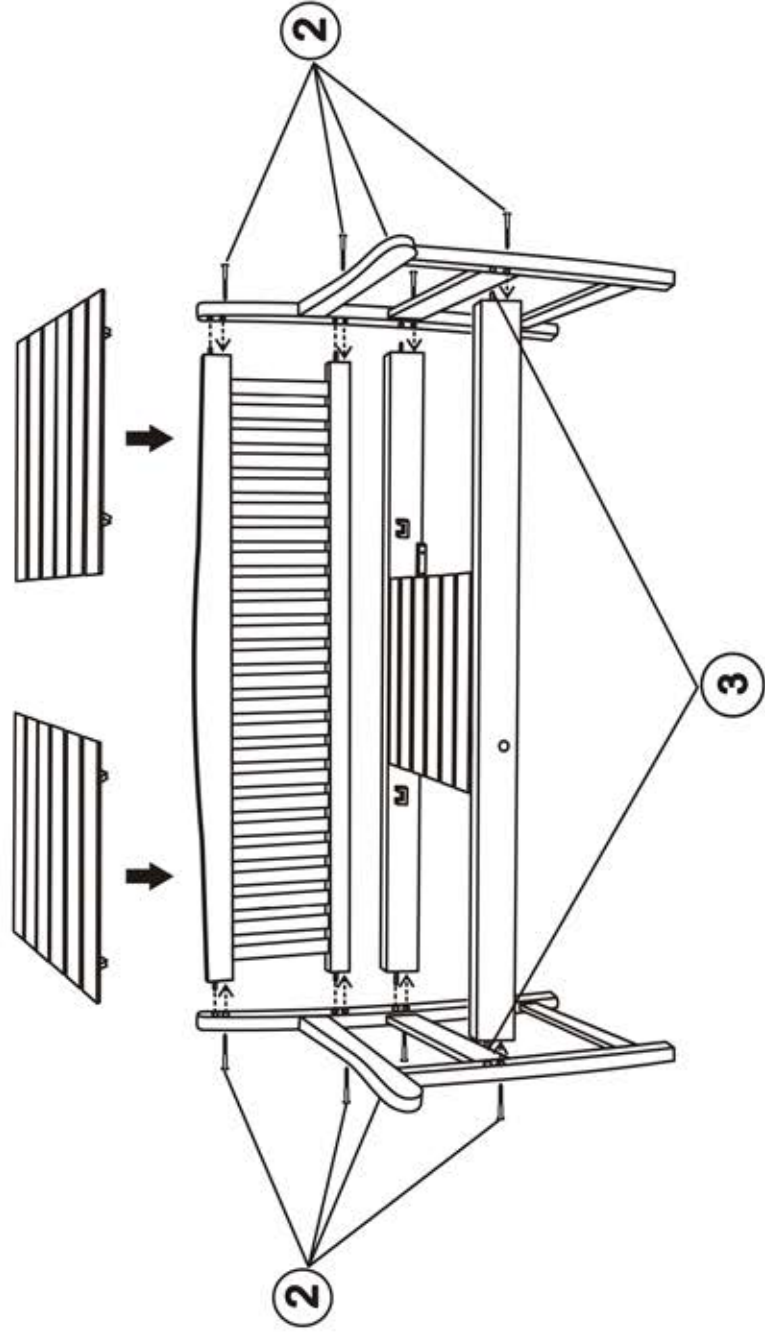
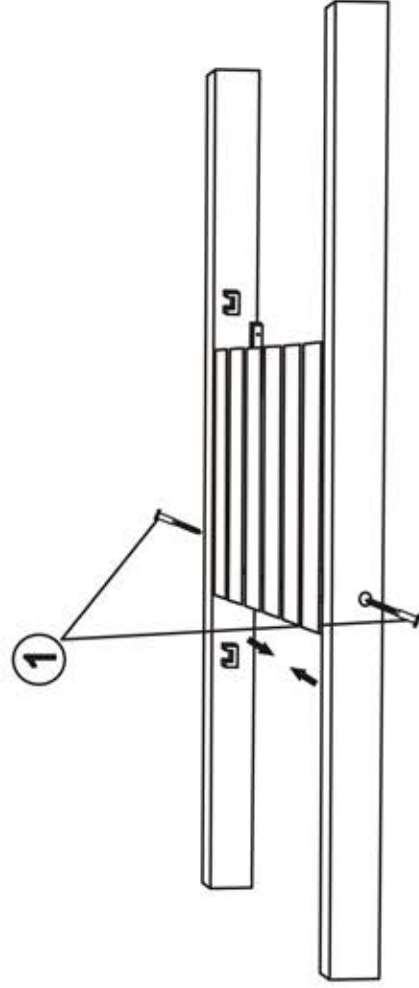






ASSEMBLY INSTRUCTION BENCH 3 CENTER TABLE



- ①  (M7 x 60) mm x 2 Pcs
- ②  (M7 x 90) mm x 8 Pcs
- ③  (10x 40) mm x 8 Pcs
- ④  1 Pce